

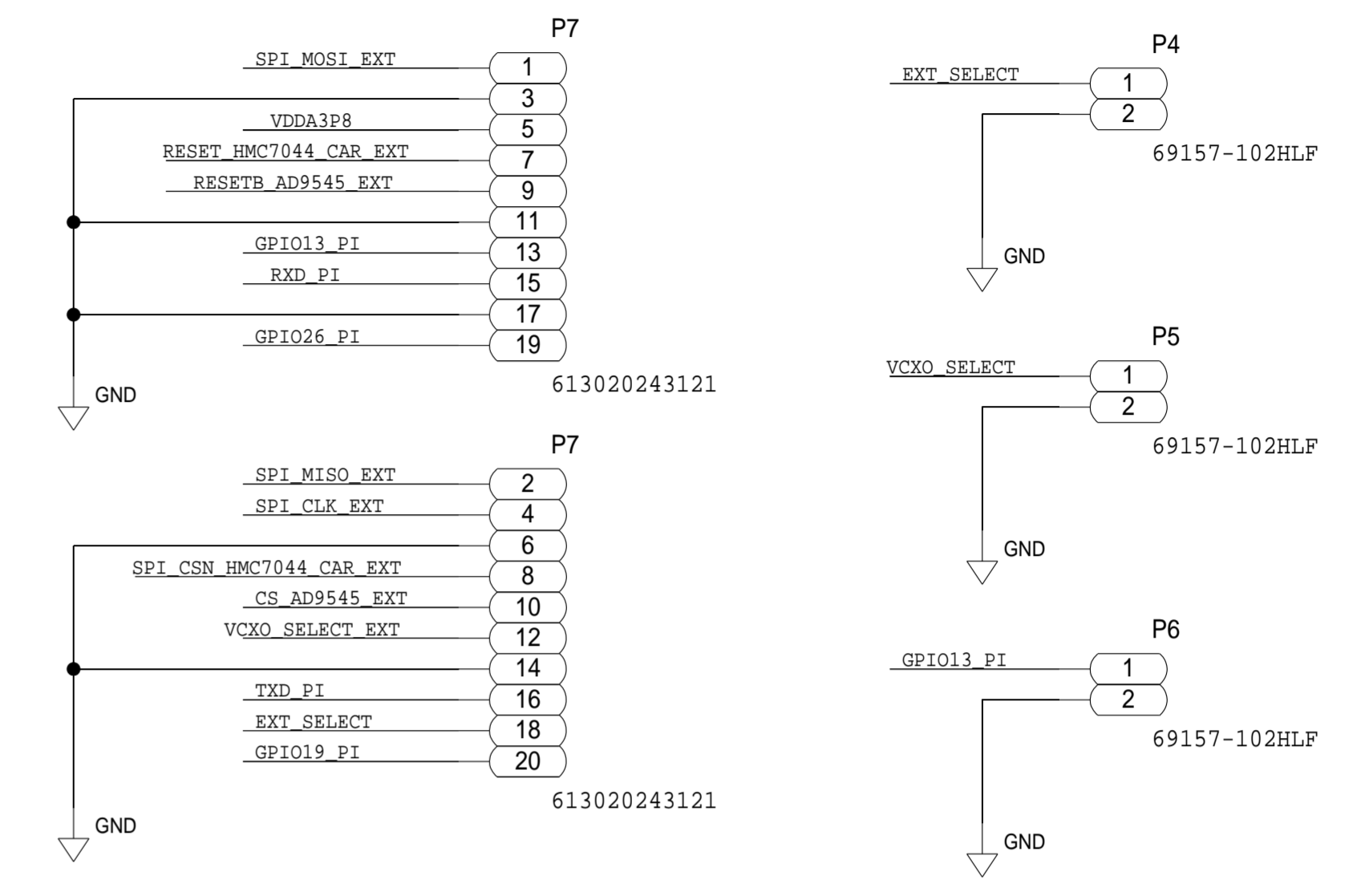
REVISIONS			
REV	DESCRIPTION	DATE	APPROVED

SYNCHRONA CONNECTOR

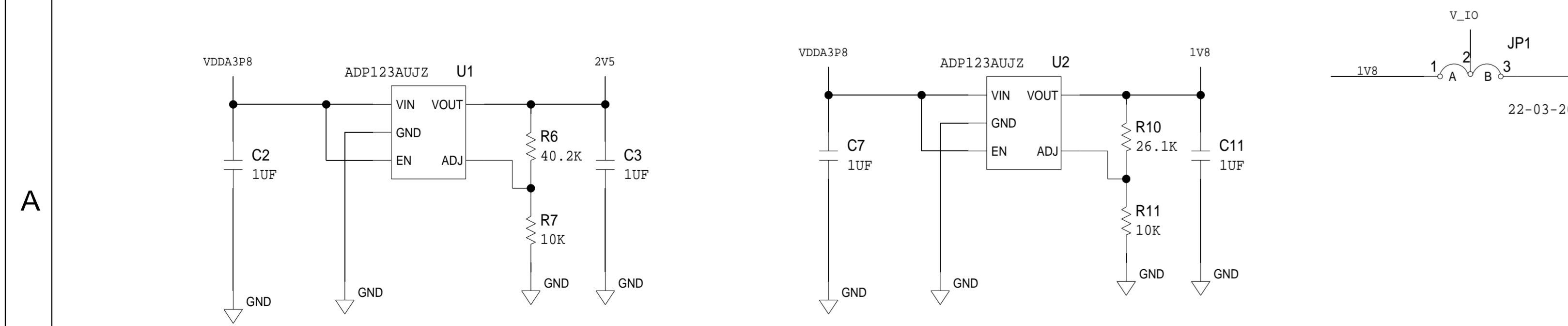
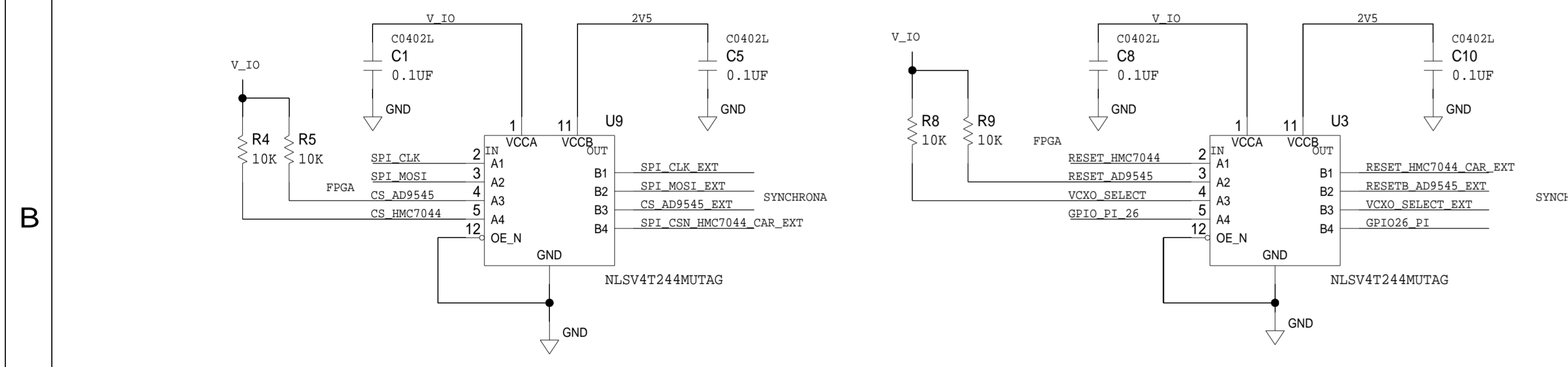
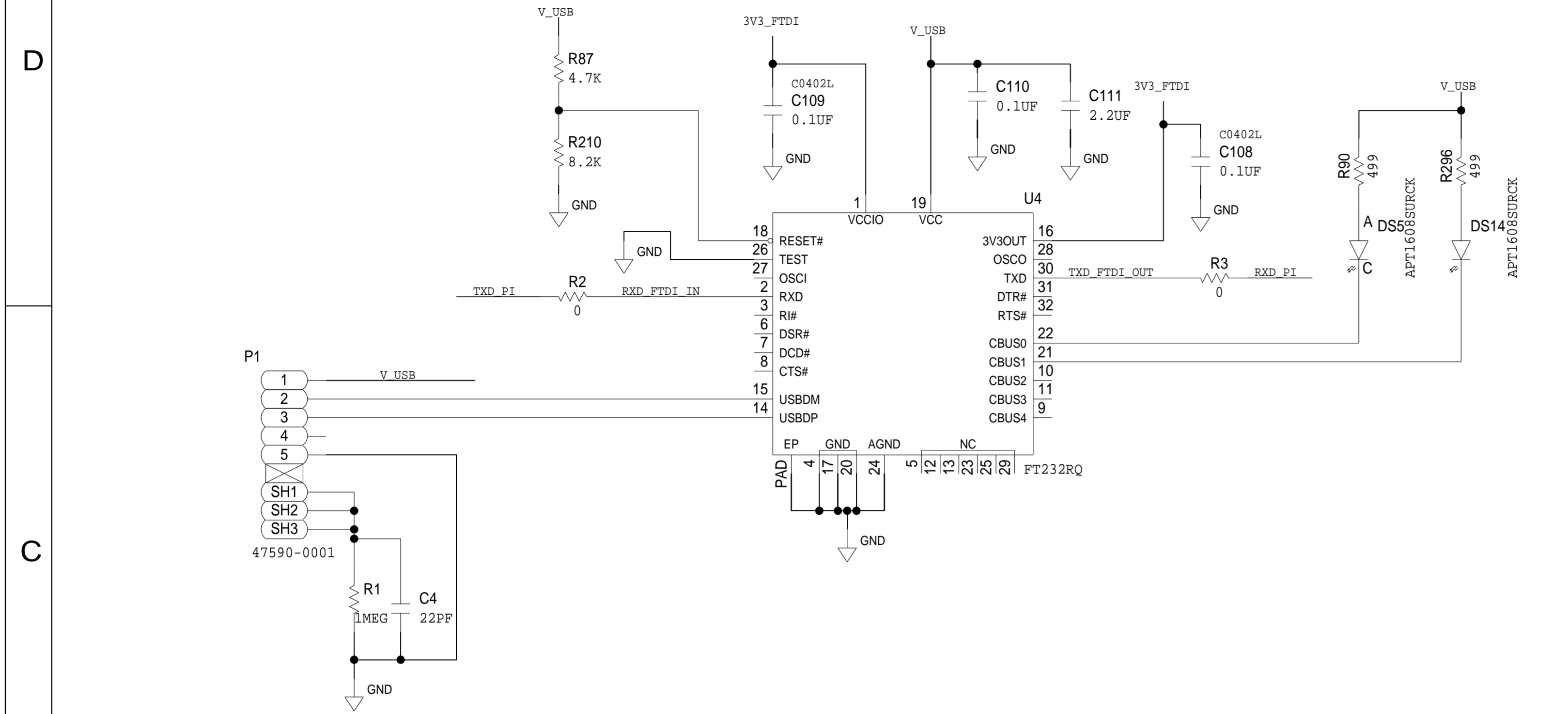
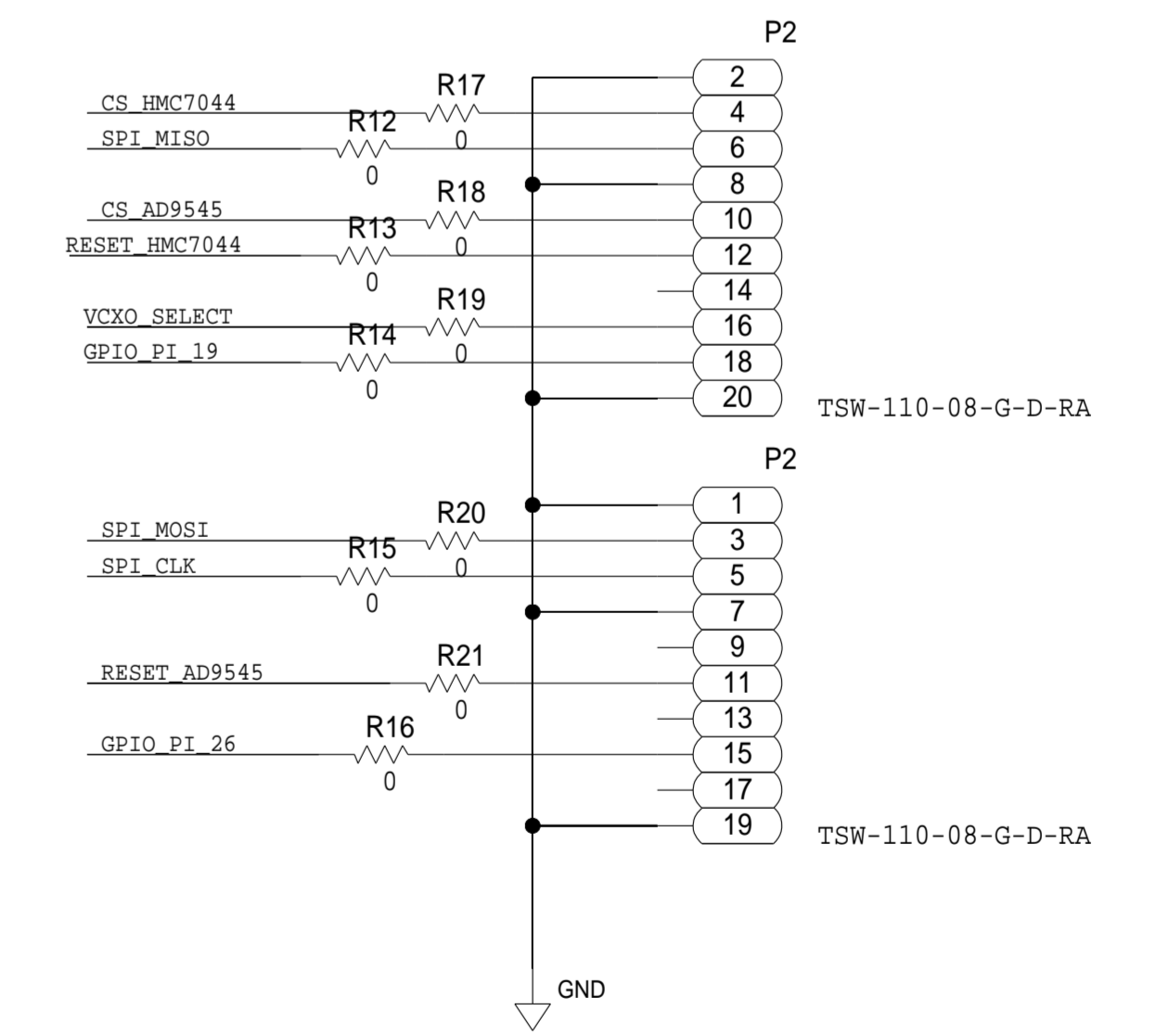
CONNECT GPIO13_PI TO GND TO SET RASPBERRY PI AS WIRELESS ACCESS POINT

CONNECT VCXO_SELECT TO GND TO USE 100MHZ VCXO

CONNECT EXT_SELECT TO GND TO USE EXT INTERFACE



FPGA CONNECTOR



	SCHEMATIC		
	HW TYPE : Customer Evaluation		
	Product(s) : NA		
	: NA		
DESIGN VIEW	DRAWING NO.	REV	
<DESIGN_VIEW>	02_068851	A	
PTD ENGINEER	SIZE	SCALE	
<PTD_ENGINEER>	D	1:1	
SHEET 2		OF 2	